

THIS DRAWING IS UNPUBLISHED. RELEASED FOR PUBLICATION  
 © COPYRIGHT BY TYCO ELECTRONICS CORPORATION. ALL RIGHTS RESERVED.

LOC	DIST	REVISIONS			
P	LTR	DESCRIPTION	DATE	DWN	APVD
AA	22				
	U	ECR-05-013336	18OCT2005	PW	JB
	V	ECR-07-017392	26JUL2007	PCH	TdB

NOTES:

1 TOLERANCES UNLESS OTHERWISE SPECIFIED:  $\pm 0.15$ .

2 CONTACT PLATING:  
 1.27 $\mu$ m MIN. GOLD SELECTIVE IN CONTACT AREA,  
 OVER 1.27 $\mu$ m MIN. NICKEL.  
 3.5-5.0 $\mu$ m MIN. MATTE TIN ON SOLDER TINES.

3 MATERIALS:  
 HOUSING: 30% G.F. PA 9T, COLOR BLACK, UL 94V-0.  
 CONTACTS: PHOSPHOR BRONZE  
 SOLDER BRACKET: TINPLATED BRASS WITH NICKEL UNDERPLATE.

4 THIS JACK CAN ALSO BE APPLIED HANGING THROUGH A HOLE,  
 IN A PRINTED CIRCUIT BOARD. SEE LEFT PCB LAYOUT.

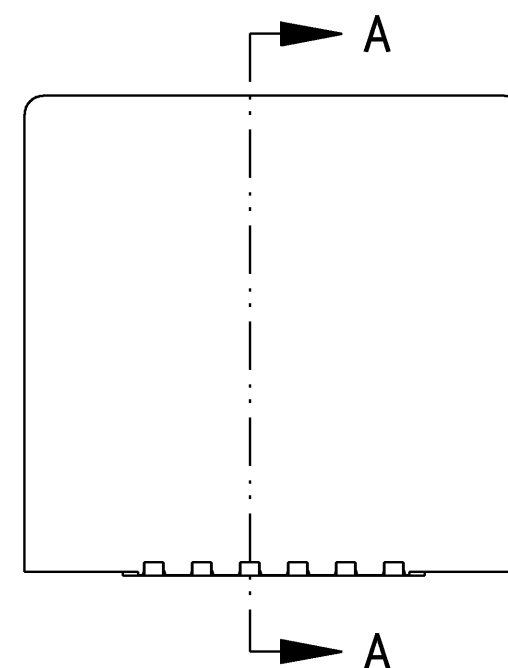
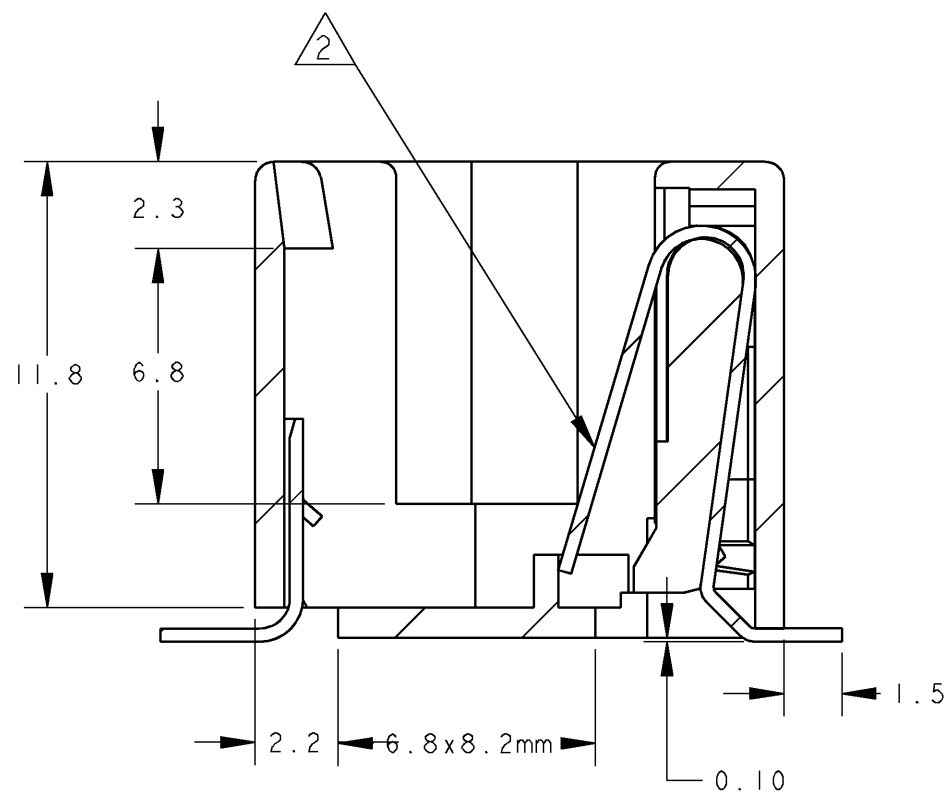
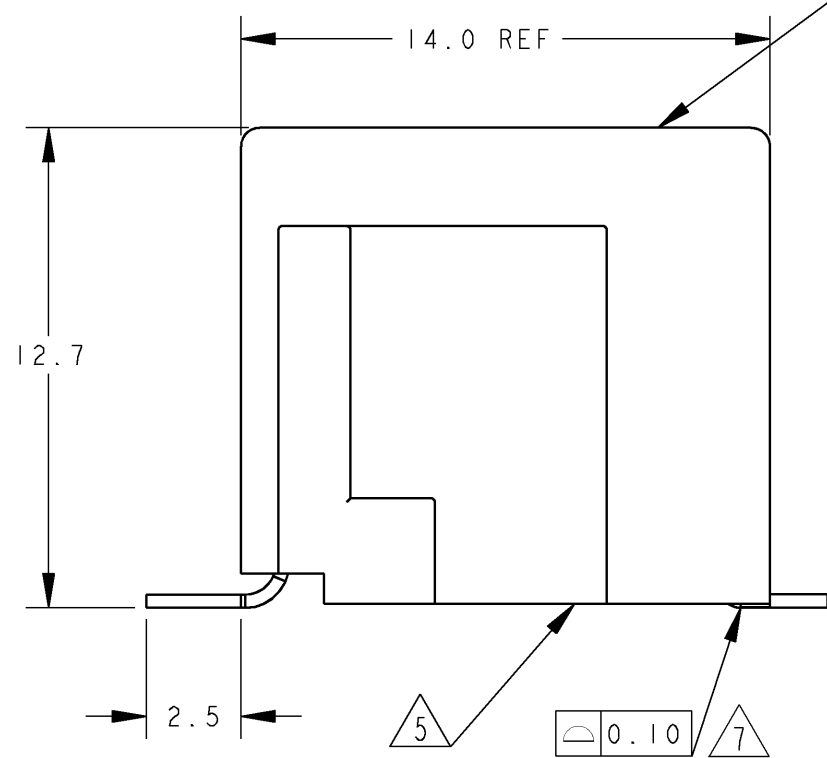
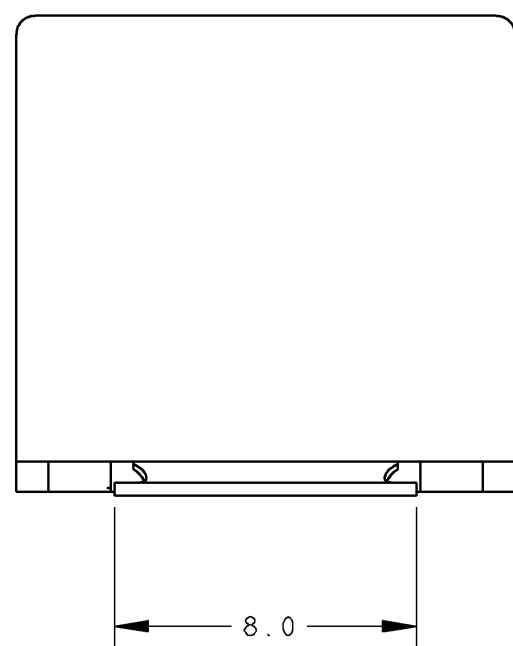
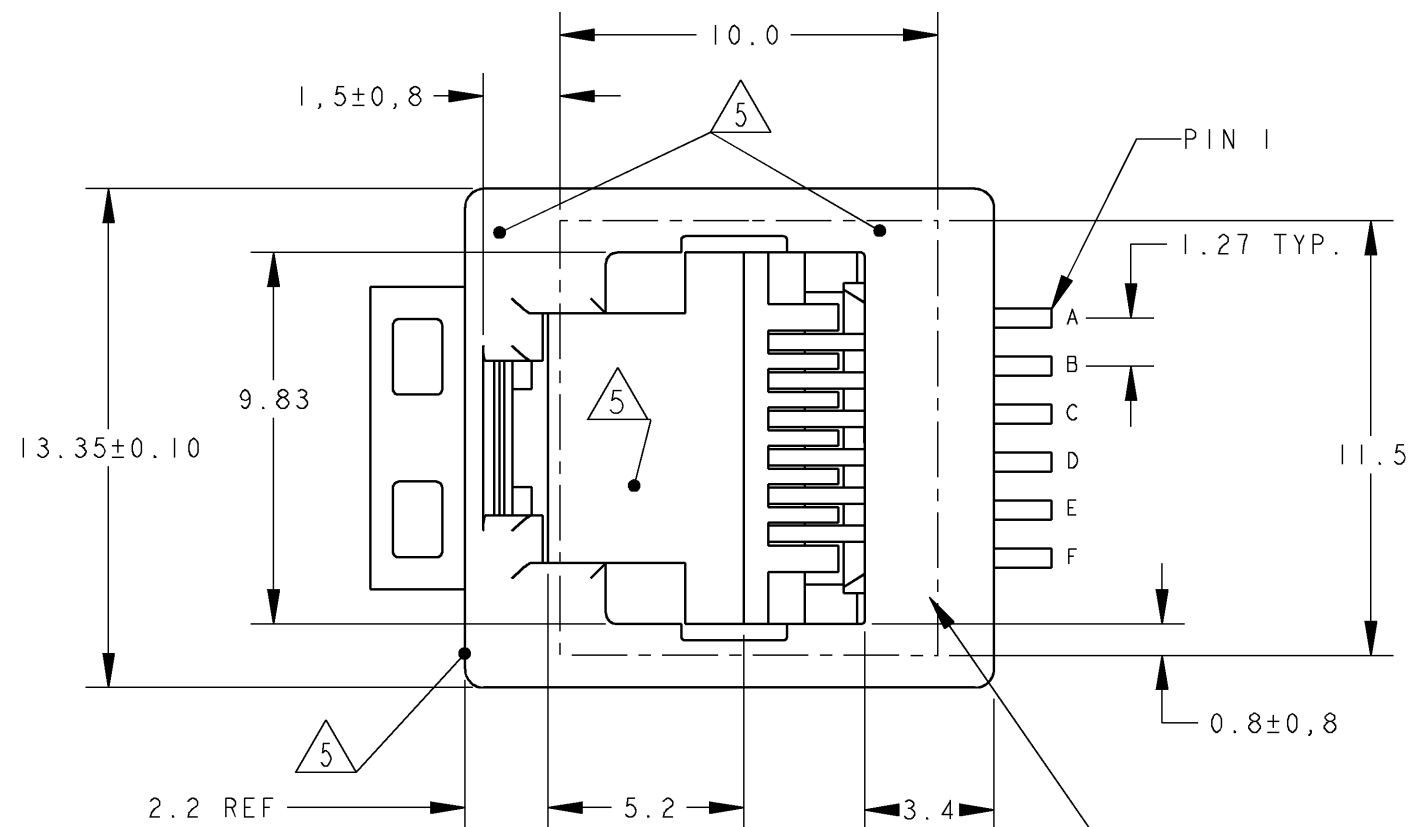
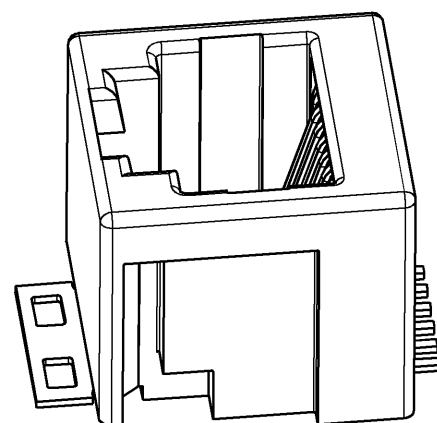
5 SURFACE CAN BE USED FOR PICKING THE MODULAR JACK WITH,  
 TYPE 11 SMD MACHINE.

6 ON 1-338086-4 AND 2-338086-4 ONLY CONTACTS B,C,D & E  
 ARE INSTALLED.

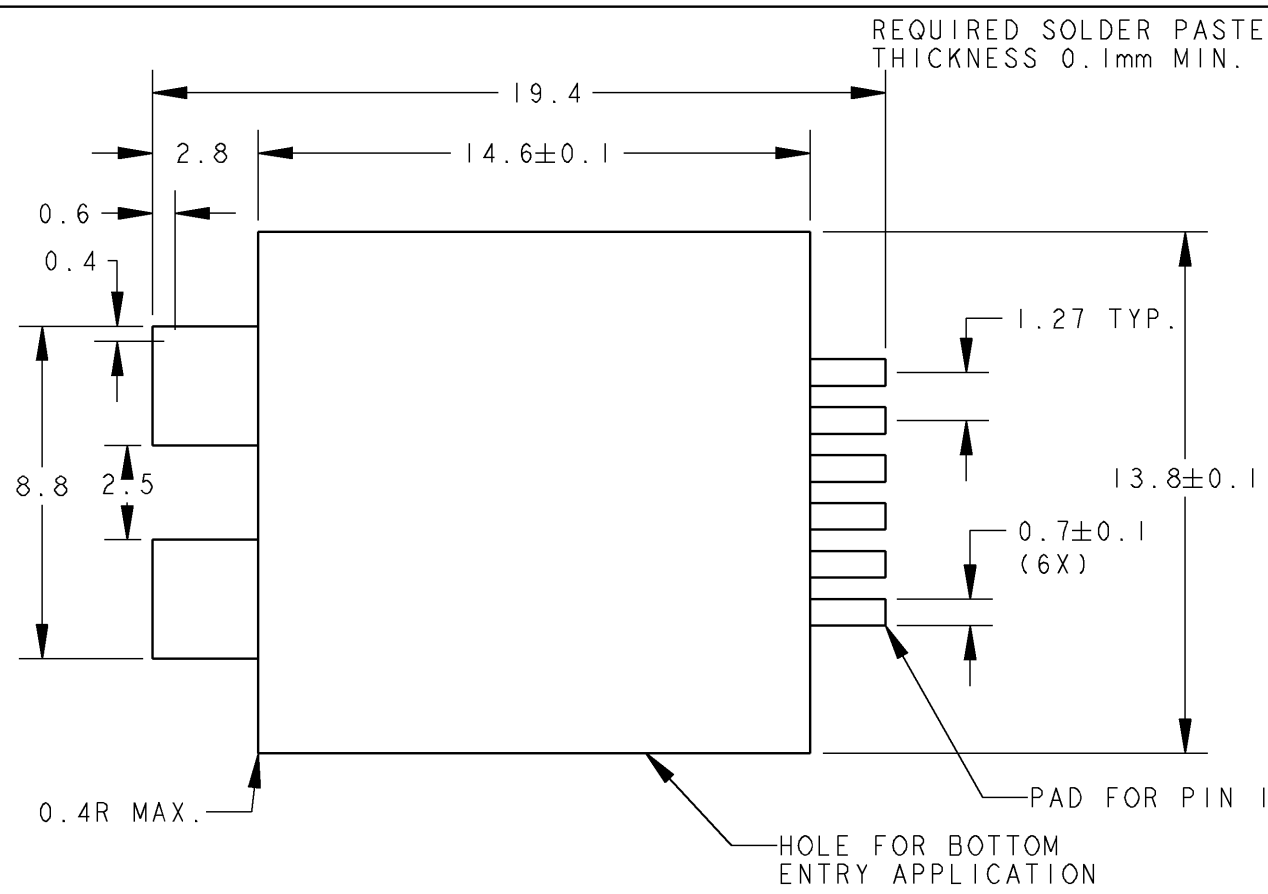
7 COPLANARITY MEASURED AT HEEL OF CONTACTS  
 COPLANARITY AT TIPS OF CONTACTS MAX. 0.18 mm

8 TAPE AND REEL PACKAGING ACCORDING TO EIA 481-3 SPECIFICATIONS.

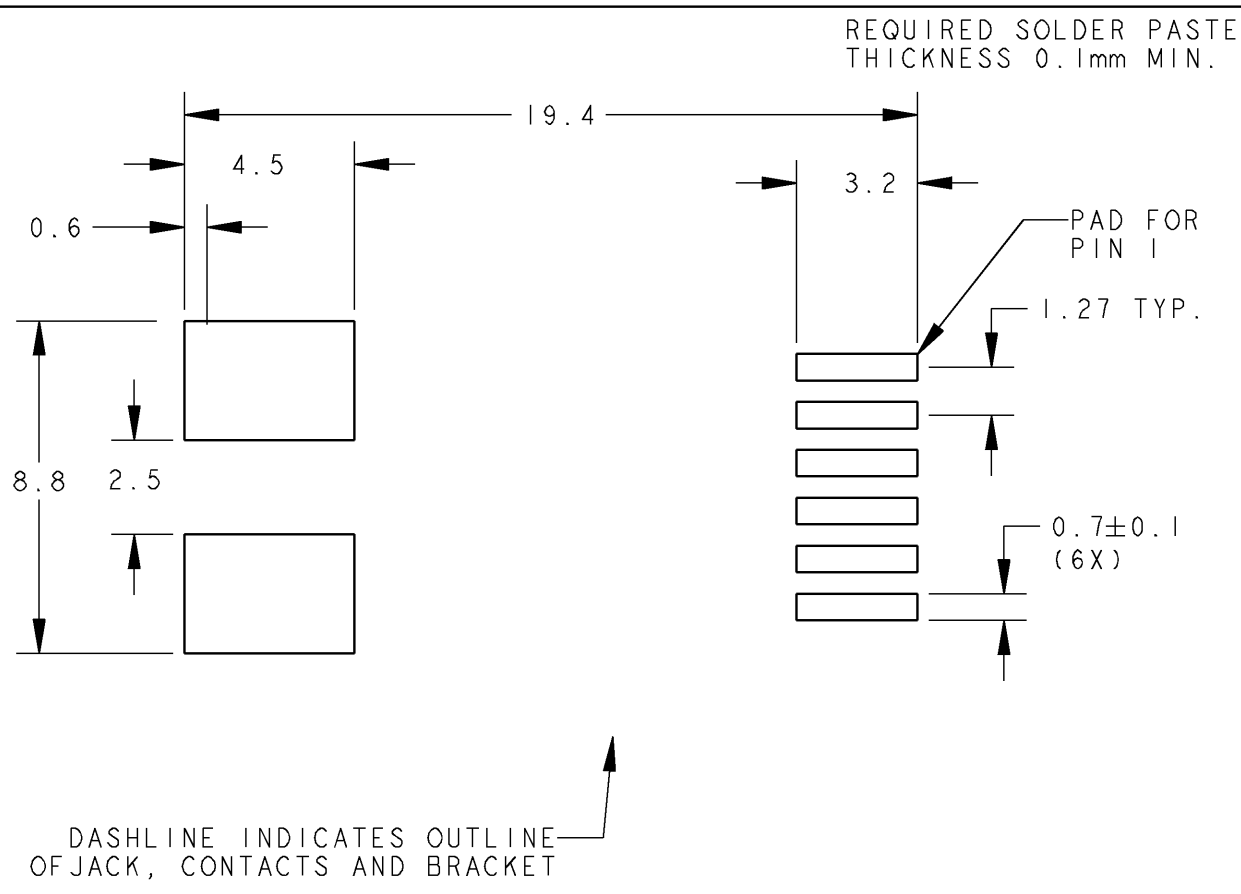
9 INCLUDES KAPTON TAPE (10x11,5mm)  
 ON TOP SURFACE AS PICK AND PLACE FEATURE.



SECTION A-A



PRINTED CIRCUIT BOARD LAYOUT (BOTTOM ENTRY APPL.)



PRINTED CIRCUIT BOARD LAYOUT (TOP ENTRY APPL.)

6 POS./6 CONT.	750 PCS ON $\varnothing$ 560mm OD REEL. BOTTOM ENTRY ORIENTATION PER DETAIL B2	2-338086-5
6 POS./4 CONT.	750 PCS ON $\varnothing$ 560mm OD REEL. TOP ENTRY ORIENTATION PER DETAIL B1	2-338086-4 6
6 POS./6 CONT.		2-338086-3
6 POS./4 CONT.	300 PCS ON $\varnothing$ 360mm OD REEL. TOP ENTRY ORIENTATION PER DETAIL B1	1-338086-7 9
6 POS./6 CONT.		1-338086-6 9
6 POS./6 CONT.	300 PCS ON $\varnothing$ 360mm OD REEL. BOTTOM ENTRY ORIENTATION PER DETAIL B2	1-338086-5
6 POS./4 CONT.	300 PCS ON $\varnothing$ 360mm OD REEL. TOP ENTRY ORIENTATION PER DETAIL B1	1-338086-4 6
6 POS./6 CONT.		1-338086-3
REMARKS	PACKAGING 8	PART NUMBER

THIS DRAWING IS A CONTROLLED DOCUMENT FOR TYCO ELECTRONICS CORPORATION  
 IT IS SUBJECT TO CHANGE AND THE CONTROLLING ENGINEERING ORGANIZATION  
 SHOULD BE CONTACTED FOR THE LATEST REVISION.

DWN 22-Nov-96  
 E.v.ELJK DEC.'96  
 E. STELLINGA

APVD R.SMEETS

NAME INVERTIBLE MODULAR JACK ASSEMBLY  
 FOR SURFACE MOUNT APPLICATION  
 6/6 AND 6/4 POSITION LINE

SIZE A2 CAGE CODE 00779 DRAWING NO. 338086 RESTRICTED TO

MATERIAL - SEE NOTE 3 TOLERANCES UNLESS OTHERWISE SPECIFIED: SEE NOTE 2

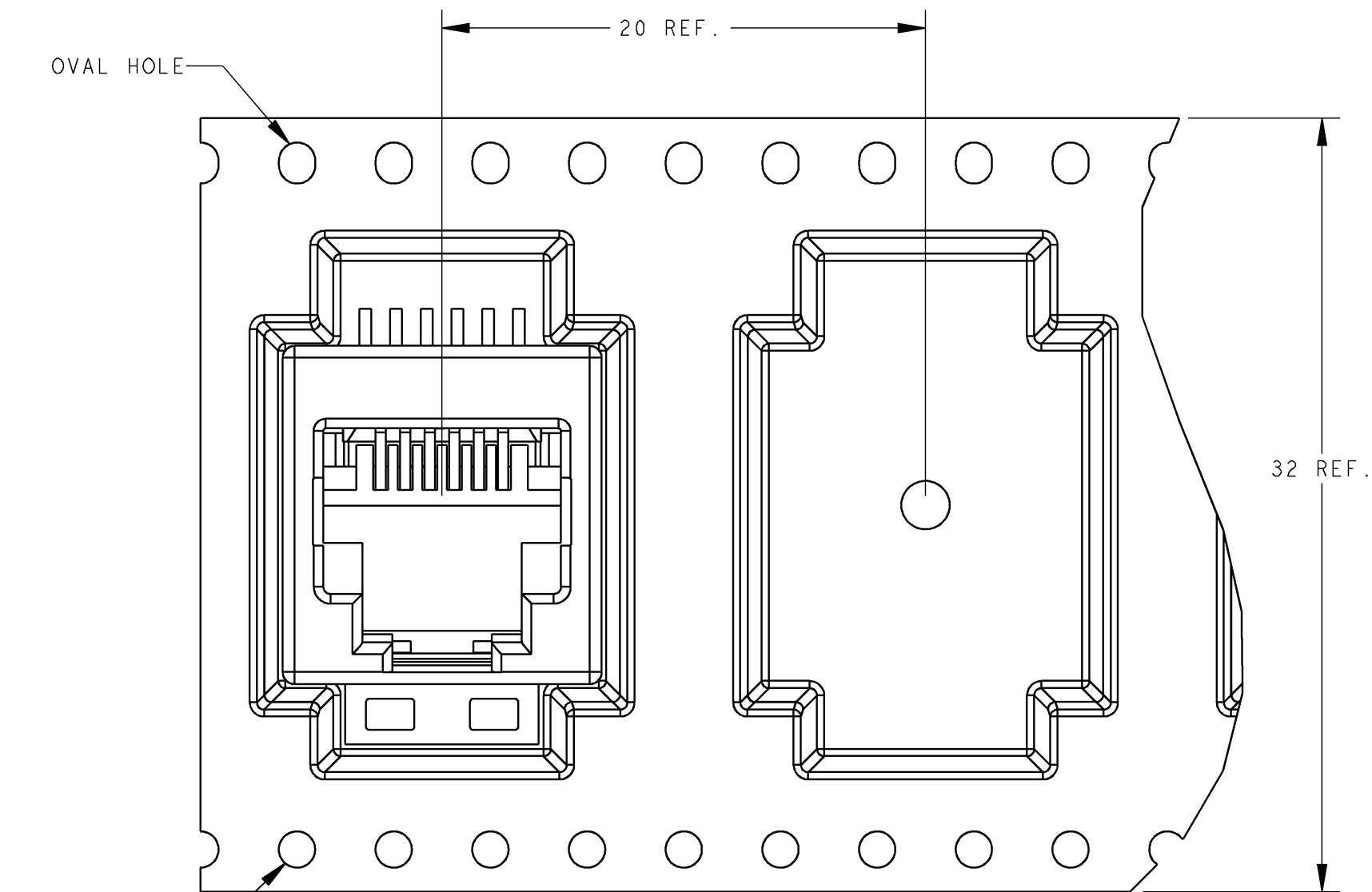
0 PLC  $\pm$   
 1 PLC  $\pm$   
 2 PLC  $\pm$   
 3 PLC  $\pm$   
 4 PLC  $\pm$   
 ANGLES  $\pm$   
 FINISH -

SCALE 5:1 SHEET 1 OF 2 REV V

CUSTOMER DRAWING WEIGHT 1.83 gr

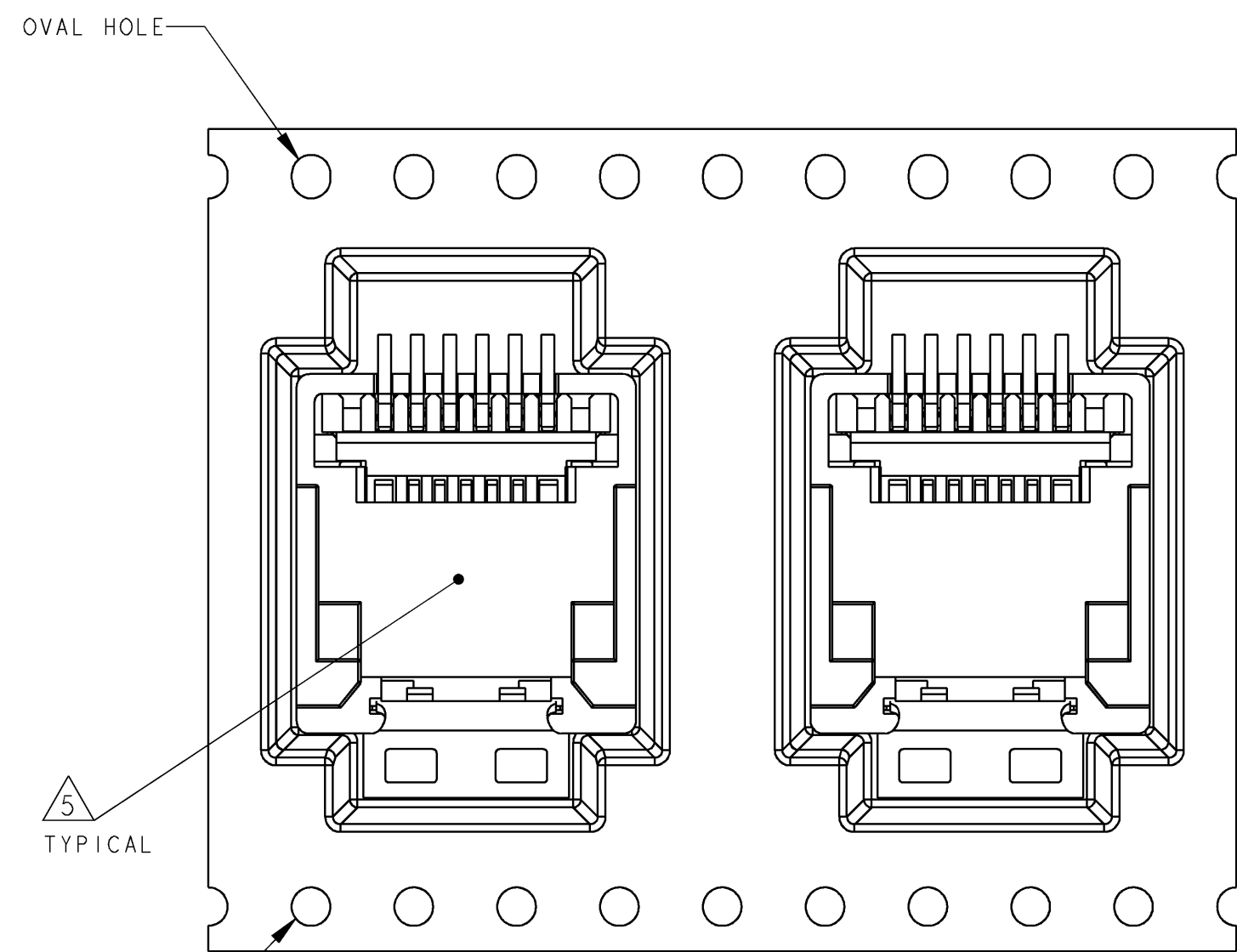
THIS DRAWING IS UNPUBLISHED. RELEASED FOR PUBLICATION  
 © COPYRIGHT BY TYCO ELECTRONICS CORPORATION. ALL RIGHTS RESERVED.

LOC	DIST	REVISIONS				
P	LTR	DESCRIPTION	DATE	DWN	APVD	
AA	22	SEE SHEET 1	-	-	-	



TOP ENTRY ORIENTATION.

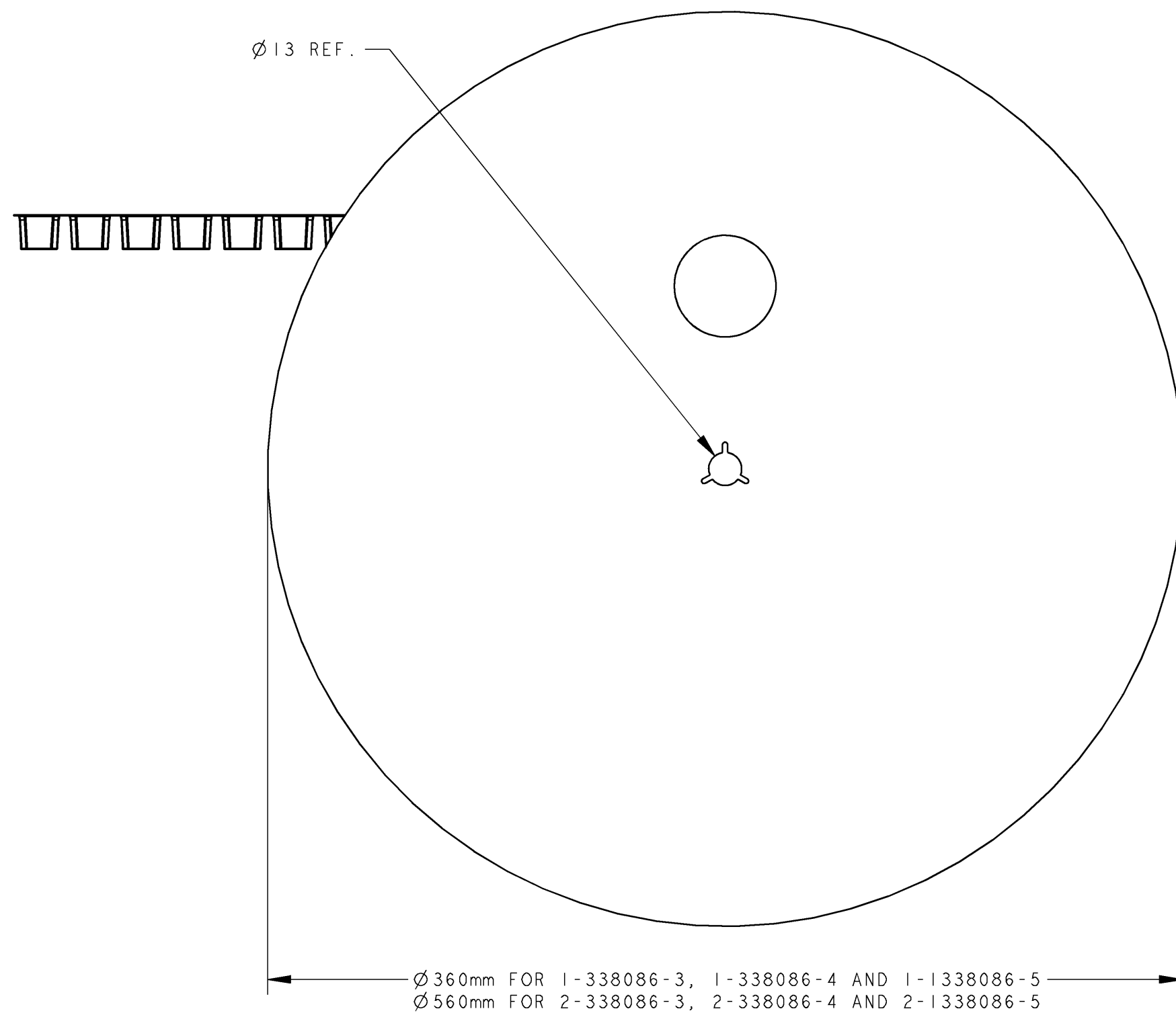
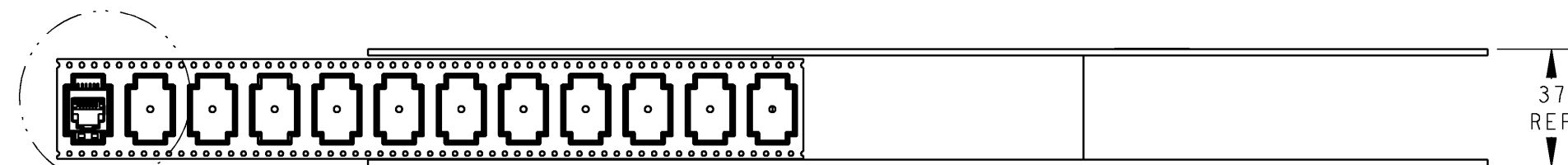
DETAIL **B1**  
SCALE 4:1



BOTTOM ENTRY ORIENTATION.

DETAIL **B2**  
SCALE 4:1

SEE DETAIL **B1 & B2**



Ø360mm FOR 1-338086-3, 1-338086-4 AND 1-1338086-5  
 Ø560mm FOR 2-338086-3, 2-338086-4 AND 2-1338086-5

THIS DRAWING IS A CONTROLLED DOCUMENT FOR TYCO ELECTRONICS CORPORATION. IT IS SUBJECT TO CHANGE AND THE CONTROLLING ENGINEERING ORGANIZATION SHOULD BE CONTACTED FOR THE LATEST REVISION.		DWN	15-0ct-96		Tyco Electronics Nederland B V 's-Hertogenbosch, The Netherlands
DIMENSIONS:		CHK	M. v. ESSEN		
mm		APVD	E. STELLINGA		
		PRODUCT SPEC	R. SMEETS		
TOLERANCES UNLESS OTHERWISE SPECIFIED:		APPLICATION SPEC	-		NAME
0 PLC	±	WEIGHT	-		INVERTIBLE MODULAR JACK ASSEMBLY FOR SURFACE MOUNT APPLICATION 6/6 AND 6/4 POSITION LINE
1 PLC	±	CUSTOMER DRAWING	-		SIZE
2 PLC	±	SCALE	5:1		CAGE CODE
3 PLC	±	SHEET	2 OF 2		DRAWING NO.
4 PLC	±	REV	V		RESTRICTED TO
ANGLES	±				
FINISH	-				

C-338086